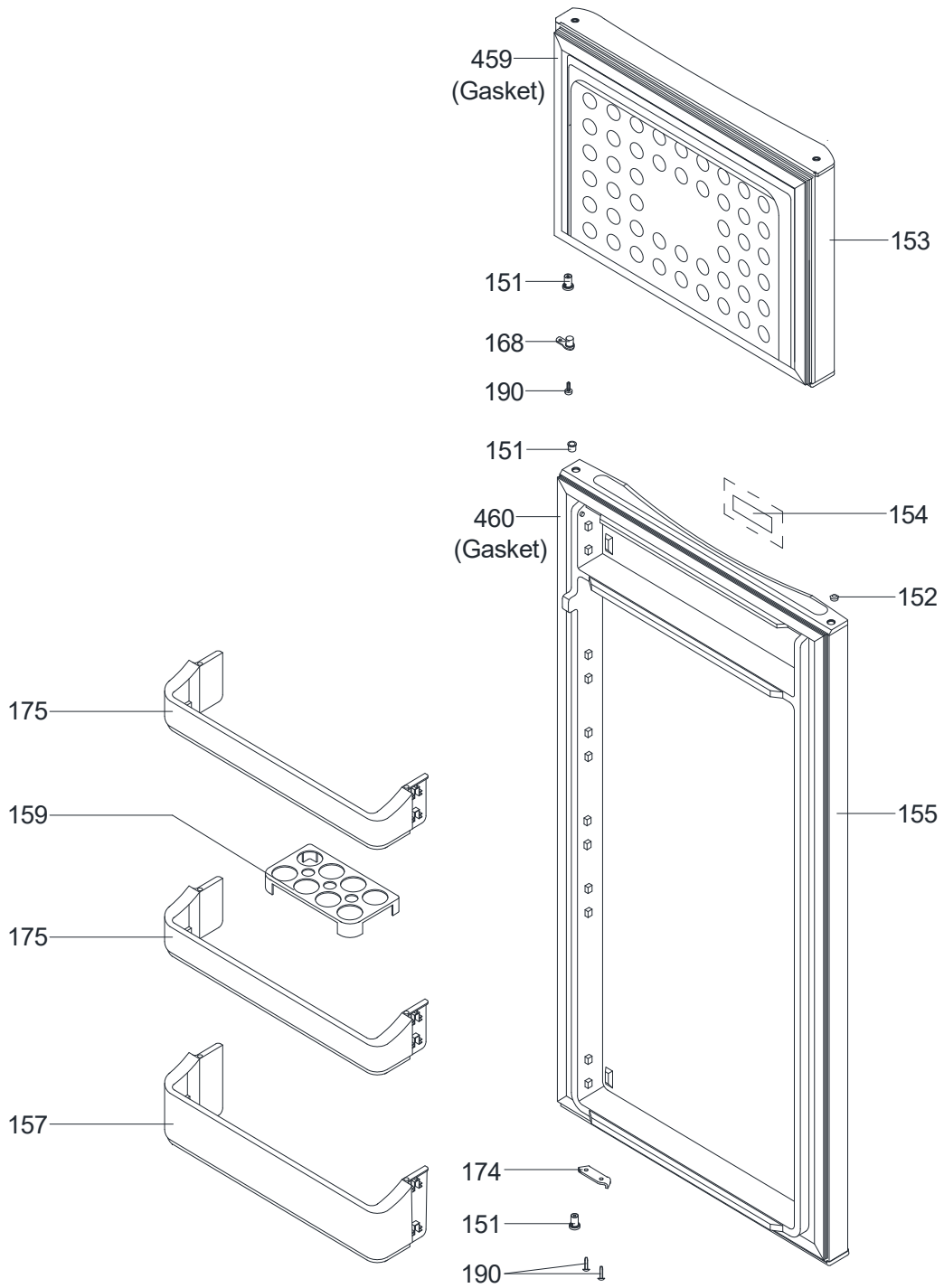


INTERIOR PARTS LIST

POSITION NUMBER	PART NAME
2	TOP HINGE GR
9	MIDDLE HINGE
13	DOOR SWITCH
14	TUNNEL DRAIN PLUG
15	BOTTOM HINGE
16	ADJUSTABLE FOOT M8X35
17	ICE SCRAPER (<i>OPTIONAL</i>)
18	ICE TRAY (<i>OPTIONAL</i>)
19	F COMPARTMENT SHELF
21	THERMOSTAT BOX GR
22	LED LAMP
23	LAMP HOLDER-E14 (UL)
26	THERMOSTAT BOX
27	THERMOSTAT
28	LAMP COVER
29	THERMOSTAT KNOB
31	THERMOSTAT BOX SCREW CAP/140
35	WIRING HARNESS/THERMOSTAT
37	R COMPARTMENT SHELF
40	CRISPER COVER TRIM
41	CRISPER
164	BODY SCREW CAP
505	MID/HINGE CAP
835	F GLASS SHELF STOPPER RV2/910
89A	TOP HINGE COVER
89B	HINGE COVER CAP



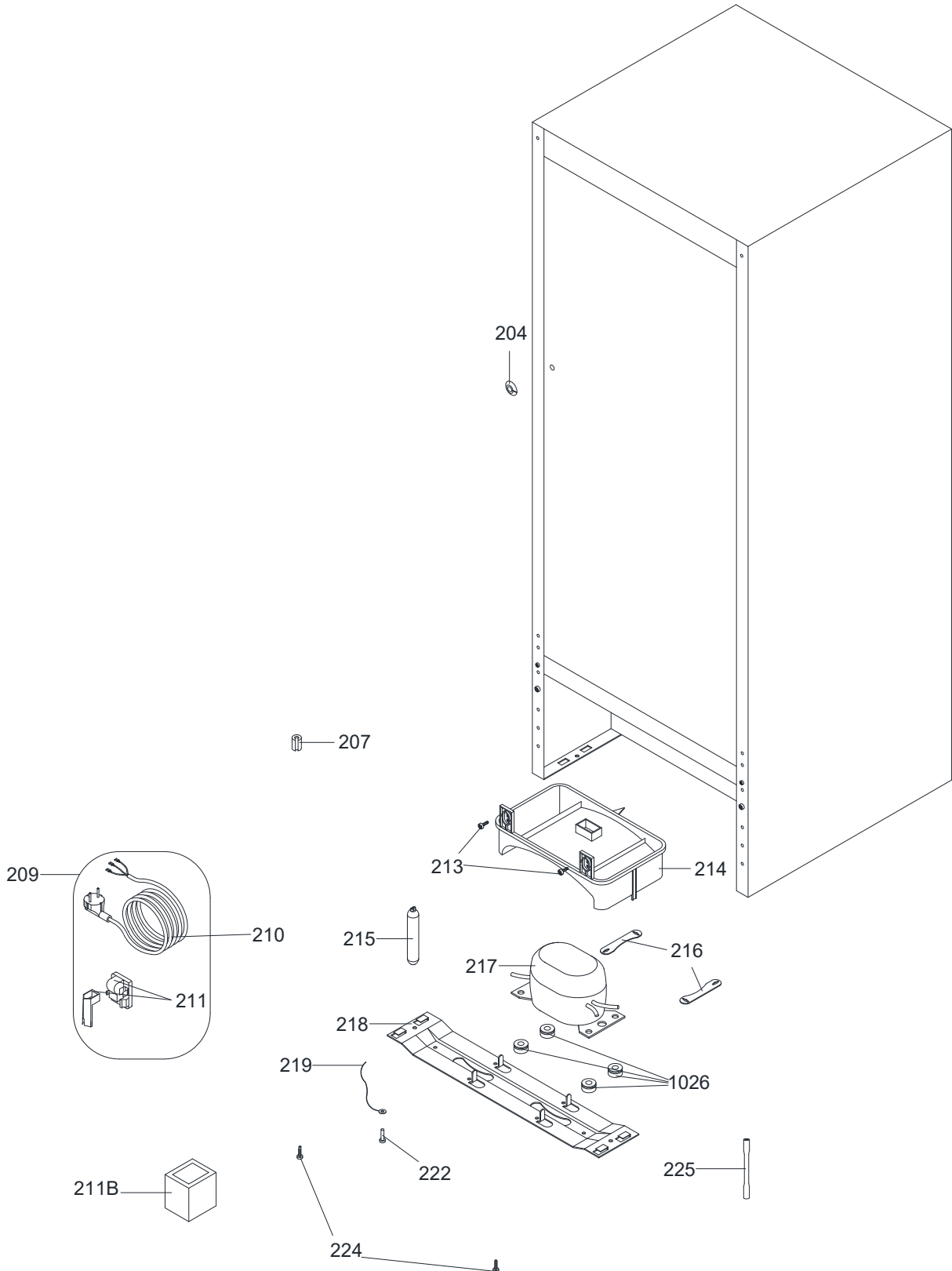
VESTEL WHITE GOODS	DOUBLE DOOR - 263 (NEW DESIGN)	CUSTOMER SUPPORT
	DOOR ASSY. PARTS LIST	

POSITION NUMBER	PART NAME
151	BUSHING/345P
152	BUSHING CAP
153	F DOOR ASSY/263
154	LOGO (OPTIONAL)
155	R DOOR ASSY/263
157	BOTTLE SHELF
159	EGG HOLDER
168	STOPPER
174	R/D BOTTOM STOPPER/140CE
175	CHEESE/BUTTER SHELF
190	SCREW 35*12 YSB-R-C
459	T/D GASKET
460	B/D GASKET

ABBREVIATIONS :

ASSY : ASSEMBLY
 R : REFRIGERATOR
 F : FREEZER

MAY 2021



VESTEL WHITE GOODS	DOUBLE DOOR - 263 (NEW DESIGN)	CUSTOMER SUPPORT
	UNIT PARTS LIST	

POSITION NUMBER	PART NAME
204	PLUG,CABLE HARNESS
205	SCREW ST 4.8*13 YSB-T-C
206	CABLE HOLDER / 140
207	ANTIVIBRATION (CONDENSER)
209	POWER CORD GR
210	POWER CORD
211	OVER LOAD RELAY
211B	COMP.COVER
213	SCREW,S,RYSB,4.2x9.5,C,ST,A3B,SERRATED
214	EVAPORATING TRAY
215	DRYER (XH9,7.5GR)
216	COMPR. FIXING BRACKET
217	COMPRESSOR
218	COMPR. BASEMENT/140
219	GROUNDING WIRE
222	GROUNDING WIRE SCREW
224	SCREW KA 50*14 YSB-F
225	SERVICE TUBE
1026	COMPRESSOR RUBBER

MAY 2021